
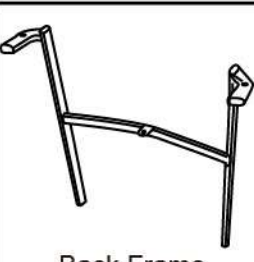
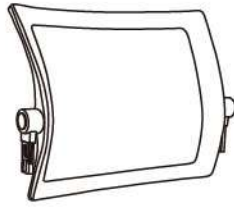


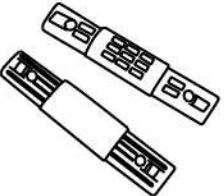
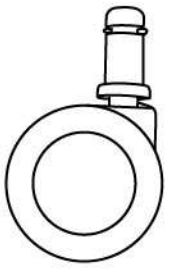





MODEL: B6889R

(1)X1  Front Frame	(2)X1  Back Frame	(3)X1 (L)X1 (R)  Back
(4)X1  Seat	(5)X1 Pair  Arm Pads	(6)X1 Pair  Frame connector
(7)X4  Casters	(A)*3  M6*22 (Seat Cushion)	(B)*1 
	(C)*4  M6*18 (Arm Pads)	

Insert and loosely tighten all screws. When assembly is completed, fully tighten all screws before using. This chair is only intended for sitting. Any other use will void the warranty.

